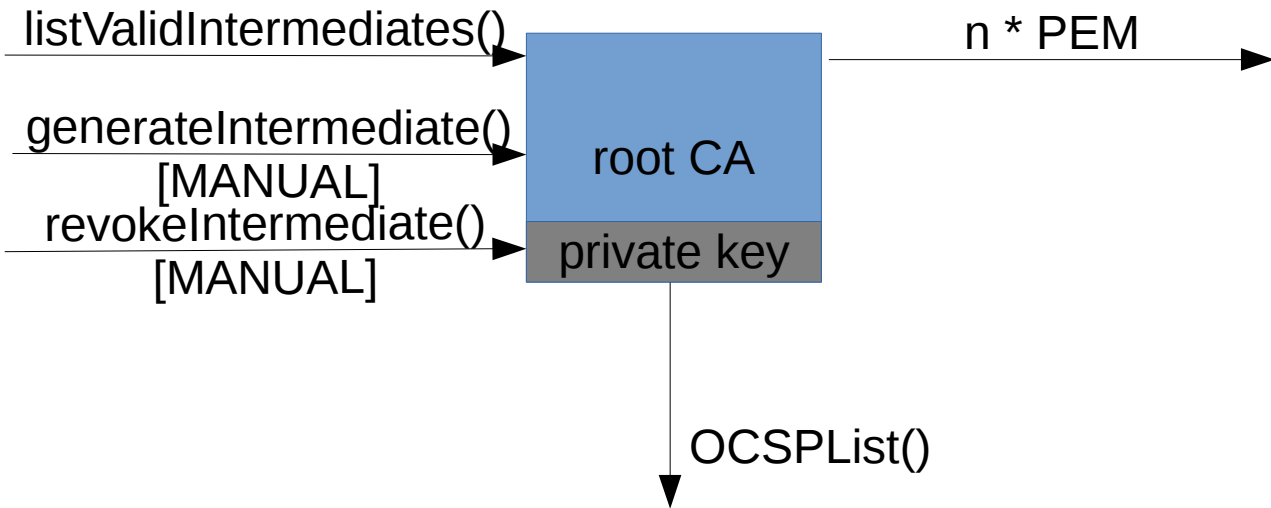


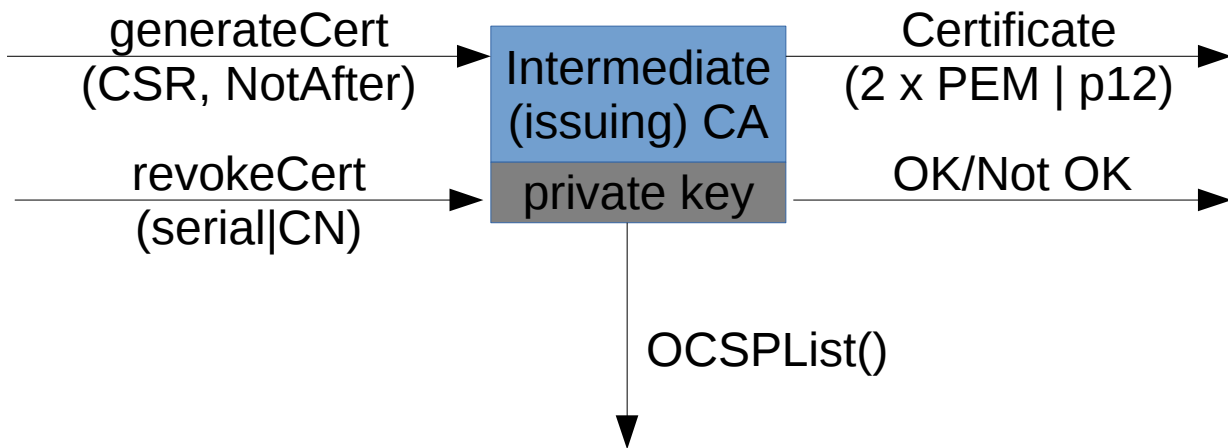
[1] = possible HSM specs: SafeNet Luna SA 4 (4.000 transactions/sec)

[2] = extendable: one intermediate per federation; use nameConstraints=<fed>.hosted.eduroam.org to scope

root CA - Functions



Intermediate CA - Functions



Why 3 x PEM?

- * intermediate CA cert
- * user cert